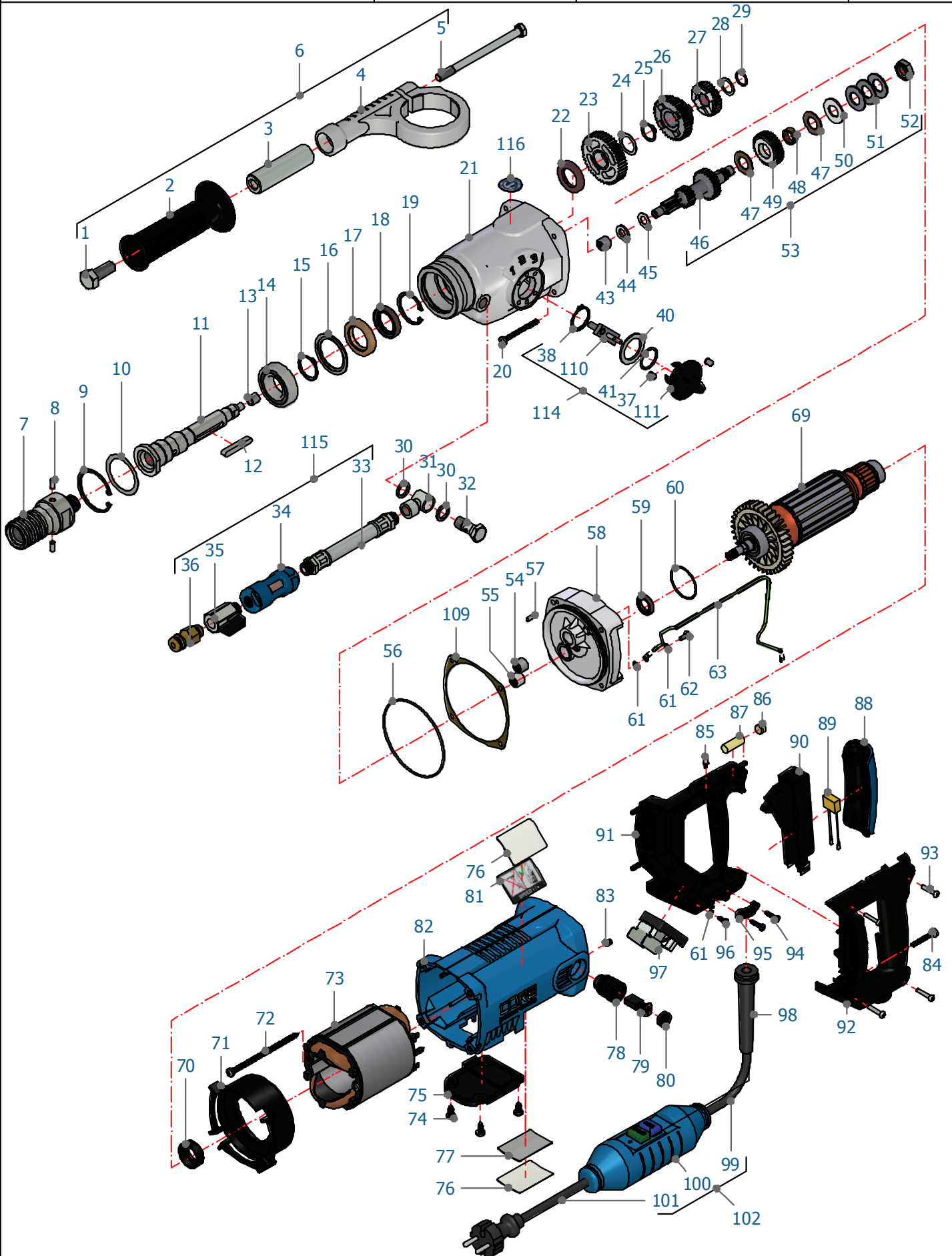


Date : 13-11-2013

Created : W.Tammen

Revision : A

Page 1 of 3



Date : 13-11-2013

Created : W.Tammen

Revision : A

## N20C00C3

Page 2 of 3

ITEM	QTY	PART NUMBER	DESCRIPTION	REVISION
1	1	FB2030	Hex-Head Bolt	
2	1	N14027	Grip	
3	1	N18033	Clamp Shaft	
4	1	N18032	Clampring Ø60	
5	1	FC0820	Hex-Head Bolt	
6	1	N20042	Grip Assembly Ø60	
7	1	N18066	Connection 5/4"+G1/2"-M18	
8	2	F6PG12	Parallel pin	
9	1	FR147	Retaining ring	
10	1	FS37P3	Shim-ring	
11	1	N20024	Main Shaft (M18x2,5)	
12	1	F6R340	Parallel Key	
13	1	EB009L	Sleeve	
14	1	EA050A	Bearing	
15	1	FR025	Spring Retaining Ring	
16	1	N18065	Spacer	
17	1	E30A251	Shaft Seal Ring	
18	1	E30A221	Shaft Seal Ring	
19	1	FR135	Spring Retaining Ring	
20	4	FF1450	Pan Head Tapping Screw	
21	1	N20027	Gearbox	
22	1	E3203	Shaft Seal Ring	
23	1	N20003	Gear Z=45	
24	1	FS18P2	Shim-ring	
25	1	FR018	Spring Retaining Ring	
26	1	N20004	Gear Z=38	
27	1	N20006	Gear Z=29	
28	1	FS14P2	Shim-ring	
29	1	FR414	Circlip	
30	2	F45240	Swivel Seal Ring	
31	1	F45241	Swivel	
32	1	F45242	Swivel shaft	
33	1	N14081	Waterhose	10-05-2007
34	1	N14082CP	Flow Indicator Blue	10-05-2007
35	1	F43340	Valve	
36	1	F2015	GARDENA Adapter G1/4"	
37	2	F42605	Spring Plunger	
38	1	FR024	Spring Retaining Ring	
40	1	FS25P2	Shim-ring	
41	1	E4021B	O-Ring	
43	1	EB009A	Needle Roller Bearing Drawn Cup	
44	1	EN0109	Needle Bearing	
45	1	EN01091	Needle Bearing Disc	
46	1	N20007	Gearshaft	
47	2	N20009	Clutch Washer	
48	1	N20010	Sliding Bush	
49	1	N20008	Clutch Gear Z=34	
50	1	N20011	Lock washer	
51	3	FR628	Disc Spring	21-12-2005
52	1	N20012	Locking Nut	
53	1	N20041	Gear Assembly 3 Speed	
54	1	EB012A	Needle Roller Bearing Drawn Cup	
55	1	EB012B	Needle Roller Bearing Drawn Cup	
56	1	E4084A	O-Ring	
57	1	F6Q112	Parallel Pin	
58	1	N20032	Gearbox Cover	
59	1	E30A05	Shaft Seal Ring	

Date : 13-11-2013

Created : W.Tammen

Revision : A

## N20C00C3

Page 3 of 3

ITEM	QTY	PART NUMBER	DESCRIPTION	REVISION
60	1	E4035A	O-Ring	
61	3	FV04TV	Toothed Lock Washer	10-05-2007
62	1	FZ4110	Pan Head Screw	
63	1	N20023	Earth Cable ( Back Grip )	05-09-2008
69	1	N20038	Armature 2000W (assembly)	
70	1	N14011	Bearing Cup	
71	1	N14010	Aircover	
72	2	FF14100	Pan Head Tapping Screw	
73	1	N20013	Stator 2000 Watt	
74	4	FF1413	Pan Head Tapping Screw	
75	1	N20033	Cover Plate	
76	2	N140281	Serial Protection	10-05-2007
77	1	N20214	Serial Plate CX20-C3	
78	2	N14020	Brushholder	
79	2	N14058	Brush - 115/230V	
80	2	N14022	Brushholder-Cap	
81	1	N140282	Indicationsticker 1st Gear Protection	10-05-2007
82	1	N20025	Motor Housing CORE	
83	2	FIK0510	Hexagon Socket Set Screw	
84	4	FF1432	Pan Head Tapping Screw	
85	1	N14032	LED	
86	1	N14035	Air Level	
87	1	N14034	Tube Air Level	
88	1	N20019blue	Soft Grip Blue	
89	1	N20022	Capicitor Assembly	
90	1	N20030	Switch	
91	1	N20020	Grip ( Right Cover )	
92	1	N20021	Grip ( Left Cover )	
93	4	N14040	Tapping Screw EJOT	
94	2	N14039	Tapping Screw EJOT	
95	1	N14024	Cable Clamp	
96	1	FQ2408	Pan Head Tapping Screw	
97	1	N20018	Motor Control 2000 Watt	
98	1	N14023	Cable hose	
99	1	N20051	Electrocable	05-02-2008
100	1	9Q2024CP	Personal Safety Switch	10-05-2007
101	1	N18050	Electrocable	
102	1	N20050CP	Cable Ass. Blue	05-02-2008
109	1	N14096	Oil Seal	30-10-2007
110	1	N20016A	Switch Handle	10-01-2008
111	1	N18006A	Switch Knob	10-01-2008
114	1	N18006C2	Switch Knob Assembly	18-11-2013
115	1	N14080CP	Waterhose Assembly Blue	18-11-2013
116	1	Y2013	Sticker Smart Tronic	18-11-2013